



COUPLINGS, FEEDTHROUGHS, LEAK DETECTOR, ACCESSORIES, MISC. FITTINGS, TUBE O.D. BUTT, WELD FITTINGS

VACUUM COUPLINGS

Dimensional Information	1
Pricing	2
Vacuum Union Couplings	3
Coupling Parts - Price List	3

VACUUM ADAPTERS

Coupling to CF Flange	4
Metal Seal Compression Ports	4
Misc. Adaptive Fittings	5

VACUUM FEEDTHROUGHS

Direct Drive Rotary Motion	6
High Current	7
Blank Plug	7
Gas Backfill / Thermocouple Gauge	8
Quick Connect	8
QF & CF to Baseplate	9
QF to Single Tube and Double Tube	9

LEAK DETECTOR ACCESSORIES

Test Port Reducer Kits	10
Test Port to QF Adapters	10
Helium Calibrated Leaks	11

STAINLESS STEEL TUBING & BUTT WELD FITTINGS..... 12-19





VACUUM COUPLING & PLUG - PRICES

STAINLESS STEEL

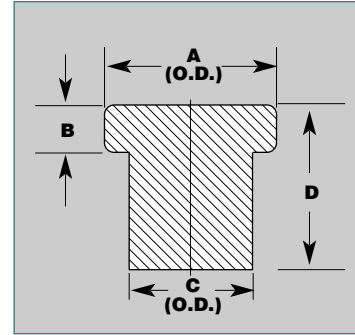
COUPLINGS

NOTE: Prices are for Couplings with Buna "N" O-Rings - For Viton O-Rings, Add "V" Suffix after K or KM.
PRICING:

PART NUMBER STYLE KM (THIN-WALL)	STYLE K (THICK-WALL)	UNIT PRICE
S-06-KM	S-06-K	
S-12-KM	S-12-K	
S-18-KM	S-18-K	
S-25-KM	S-25-K	
S-31-KM	S-31-K	
S-38-KM	S-38-K	
S-50-KM	S-50-K	
S-62-KM	S-62-K	
S-75-KM	S-75-K	
S-87-KM	S-87-K	
S-100-KM	S-100-K	
S-112-KM	S-112-K	
S-125-KM	S-125-K	
S-138-KM	S-138-K	
S-150-KM	S-150-K	
S-162-KM	S-162-K	
S-200-KM	S-200-K	

PLUGS

PART NUMBER	UNIT PRICE
S-06-P	
S-12-P	
S-18-P	
S-25-P	
S-31-P	
S-38-P	
S-50-P	
S-62-P	
S-75-P	
S-87-P	
S-100-P	
S-112-P	
S-125-P	
S-138-P	
S-150-P	
S-162-P	
S-200-P	



BRASS

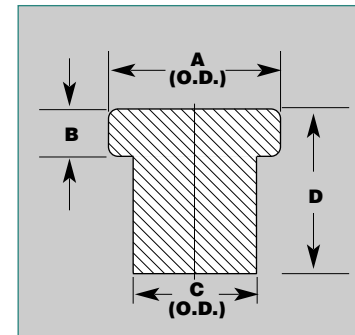
COUPLINGS

NOTE: Prices are for Couplings with Buna "N" O-Rings - For Viton O-Rings, Add "V" Suffix after K or KM.
PRICING: Add \$1.00 06-100. Add \$2.00 112-200

PART NUMBER STYLE KM (THIN-WALL)	STYLE K (THICK-WALL)	UNIT PRICE
B-06-KM	B-06-K	
B-12-KM	B-12-K	
B-18-KM	B-18-K	
B-25-KM	B-25-K	
B-31-KM	B-31-K	
B-38-KM	B-38-K	
B-50-KM	B-50-K	
B-62-KM	B-62-K	
B-75-KM	B-75-K	
B-87-KM	B-87-K	
B-100-KM	B-100-K	
B-112-KM	B-112-K	
B-125-KM	B-125-K	
B-138-KM	B-138-K	
B-150-KM	B-150-K	
B-162-KM	B-162-K	
B-200-KM	B-200-K	

PLUGS

PART NUMBER	UNIT PRICE
B-06-P	
B-12-P	
B-18-P	
B-25-P	
B-31-P	
B-38-P	
B-50-P	
B-62-P	
B-75-P	
B-87-P	
B-100-P	
B-112-P	
B-125-P	
B-138-P	
B-150-P	
B-162-P	
B-200-P	



COMBINATION; BRASS NUT & COMPRESSION RING WITH STAINLESS SLEEVE

COUPLINGS

NOTE: Prices are for Couplings with Buna "N" O-Rings - For Viton O-Rings, Add "V" Suffix after K or KM.
PRICING: Add \$1.00 06-100. Add \$2.00 112-200

PART NUMBER STYLE KM (THIN-WALL)	STYLE K (THICK-WALL)	UNIT PRICE
SB-06-KM	SB-06-K	
SB-12-KM	SB-12-K	
SB-18-KM	SB-18-K	
SB-25-KM	SB-25-K	
SB-31-KM	SB-31-K	
SB-38-KM	SB-38-K	
SB-50-KM	SB-50-K	
SB-62-KM	SB-62-K	
SB-75-KM	SB-75-K	
SB-87-KM	SB-87-K	
SB-100-KM	SB-100-K	
SB-112-KM	SB-112-K	
SB-125-KM	SB-125-K	
SB-138-KM	SB-138-K	
SB-150-KM	SB-150-K	
SB-162-KM	SB-162-K	
SB-200-KM	SB-200-K	

PLUG DIMENSIONAL DATA

(Dimensions in inches)

SIZE	A	B	C	D
06	.375	.250	.0625	.750
12	.375	.250	.1250	.750
18	.375	.250	.1875	.750
25	.500	.250	.2500	.750
31	.625	.250	.3125	.750
38	.625	.250	.3750	.750
50	.750	.250	.5000	.750
62	.875	.250	.6250	.750
75	1.000	.250	.7500	.750
87	1.125	.250	.8750	.750
100	1.250	.250	1.0000	.750
112	1.375	.250	1.1250	.750
125	1.500	.250	1.2500	.750
138	1.625	.250	1.3750	.750
150	1.750	.250	1.5000	.750
162	1.875	.250	1.6250	.750
200	2.250	.250	2.0000	.750

Vacuum Technology Distribution
 1003 Alvin Weinberg Drive
 Oak Ridge, Tennessee 37830
 TEL (865) 481 3342
 FAX (865) 481-3788
 www.vacuumtechnology.com

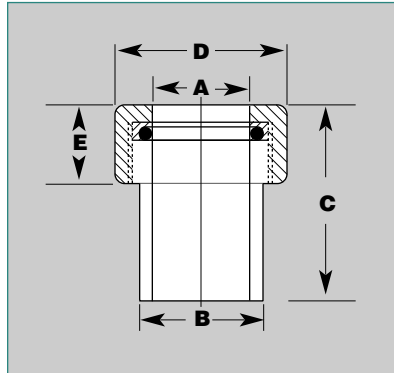
Sales Department 1-800-704-4774



VACUUM COUPLING DIMENSIONS

BRASS, 304 STAINLESS, BRASS/STAINLESS VACUUM COUPLINGS

STYLE KM



- Sizes Nest to Next Size.
- "O" Ring Groove Machined Into Retainer Ring.

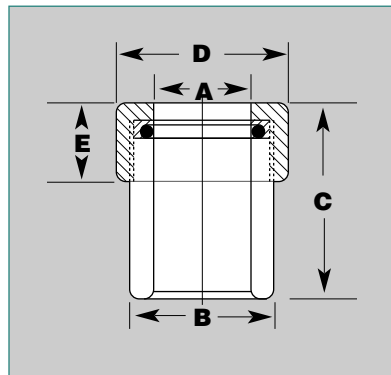
PART NUMBER	TUBE OD	A	B	C	D	E	O-RING PART NUMBER
06-KM	1/16	.072	3/8	15/16	1/2	5/8	2-003
12-KM	1/8	.136	3/8	15/16	1/2	5/8	2-006
18-KM	3/16	.199	3/8	15/16	5/8	5/8	2-008
25-KM	1/4	.265	3/8	15/16	5/8	5/8	2-010
31-KM	5/16	.328	1/2	15/16	7/8	5/8	2-011
38-KM	3/8	.390	1/2	15/16	7/8	5/8	2-012
50-KM	1/2	.515	5/8	15/16	7/8	5/8	2-014
62-KM	5/8	.640	3/4	1 1/2	13/16	3/4	2-114
75-KM	3/4	.765	7/8	1 5/8	13/8	3/4	2-116
87-KM	7/8	.890	1	1 5/8	13/8	3/4	2-118
100-KM	1	1.015	1 1/8	1 7/8	1 5/8	3/4	2-120
112-KM	1 1/8	1.140	1 1/4	1 7/8	1 7/8	3/4	2-216
125-KM	1 1/4	1.265	1 1/2	2	1 7/8	3/4	2-218
138-KM	1 3/8	1.390	1 5/8	2 1/8	2	7/8	2-220
150-KM	1 1/2	1.515	1 3/4	2 1/4	2 1/4	7/8	2-222
162-KM	1 5/8	1.640	1 7/8	2 1/4	2 3/8	7/8	2-223
200-KM	2	2.015	2 1/4	2 1/4	2 3/4	7/8	2-226

Dimensions in inches.

STYLE K

PART NUMBER	TUBE OD	A	B	C	D	E	O-RING PART NUMBER
06-K	1/16	.072	3/8	15/16	1/2	5/8	2-003
12-K	1/8	.136	3/8	15/16	1/2	5/8	2-006
18-K	3/16	.199	3/8	15/16	5/8	5/8	2-008
25-K	1/4	.265	1/2	15/16	5/8	5/8	2-010
31-K	5/16	.328	1/2	15/16	7/8	5/8	2-011
38-K	3/8	.390	5/8	15/16	7/8	5/8	2-012
50-K	1/2	.515	3/4	15/16	7/8	5/8	2-014
62-K	5/8	.640	7/8	1 1/2	13/16	3/4	2-114
75-K	3/4	.765	1 1/8	1 5/8	13/8	3/4	2-116
87-K	7/8	.890	1 1/4	1 5/8	13/8	3/4	2-118
100-K	1	1.015	1 3/8	1 7/8	1 5/8	3/4	2-120
112-K	1 1/8	1.140	1 1/2	1 7/8	1 7/8	3/4	2-216
125-K	1 1/4	1.265	1 11/16	2	1 7/8	3/4	2-218
138-K	1 3/8	1.390	1 13/16	2 1/8	2	7/8	2-220
150-K	1 1/2	1.515	2	2 1/4	2 1/4	7/8	2-222
162-K	1 5/8	1.640	2 1/8	2 1/4	2 3/8	7/8	2-223
200-K	2	2.015	2 1/2	2 1/4	2 3/4	7/8	2-226

Dimensions in inches.



- "O" Ring Groove Machined Into Retainer Ring.
- I.D. Dimension Allows for Tube Variations.

Vacuum Technology Distribution
 1003 Alvin Weinberg Drive
 Oak Ridge, Tennessee 37830
 TEL (865) 481 3342
 FAX (865) 481-3788
 www.vacuumtechnology.com

Sales Department 1-800-704-4774

Most Major Cards Accepted

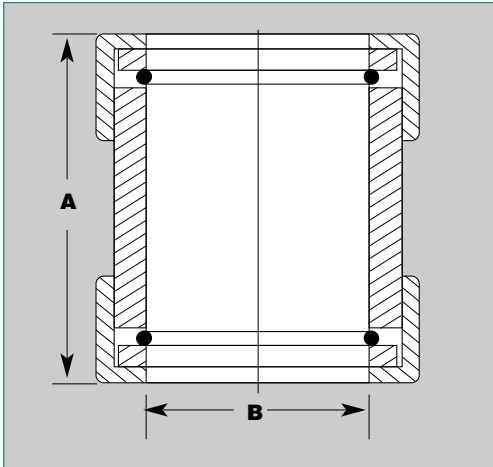




VACUUM UNION COUPLING

VACUUM UNION COUPLINGS

304 STAINLESS STEEL



- 304 Stainless Steel
- Other Sizes Available

PART NUMBER	TUBE OD	A	B	UNIT PRICE
S-25-U	1/4	1.56	.265	
S-50-U	1/2	1.56	.515	
S-75-U	3/4	1.88	.765	
S-100-U	1	2.13	1.015	
S-112-U	1 1/8	2.13	1.140	
S-125-U	1 1/4	2.13	2.265	
S-150-U	1 1/2	2.50	1.515	
S-200-U	2	2.50	2.015	

Dimensions in inches.

VACUUM COUPLING - PARTS

COUPLING PARTS - PRICE LIST

ORDERING EXAMPLE: B-06-N = 1/16" Brass Nut

SIZE	B-(SIZE #)-N BRASS		S-(SIZE #)-N STAINLESS STEEL		"O" RING ADD "B" OR "V" SUFFIX		
	NUT	RING	NUT	RING	SIZE	BUNA	VITON
06	1/16				2-005		
12	1/8				2-006		
18	3/16				2-008		
25	1/4				2-010		
31	5/16				2-011		
38	3/8				2-012		
50	1/2				2-014		
62	5/8				2-114		
75	3/4				2-116		
87	7/8				2-118		
100	1				2-120		
112	1 1/8				2-216		
125	1 1/4				2-218		
138	1 3/8				2-220		
150	1 1/2				2-222		
162	1 5/8				2-223		
200	2				2-226		

Dimensions in inches.

Vacuum Technology Distribution
 1003 Alvin Weinberg Drive
 Oak Ridge, Tennessee 37830
 TEL (865) 481 3342
 FAX (865) 481-3788
www.vacuumtechnology.com

Sales Department 1-800-704-4774



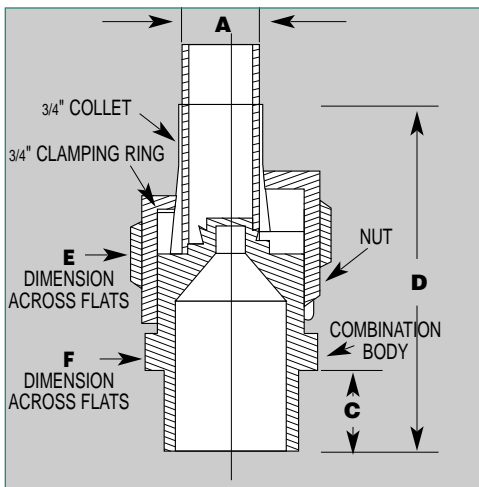
VACUUM ADAPTERS



1" VACUUM COUPLING TO 23/4" CF FLANGE

PART NUMBER	UNIT PRICE
275xQ100	

See page 39 of our **CF FLANGE COMPONENTS CATALOG** for dimensions and other available size combinations.



METAL SEAL COMPRESSION PORTS

PART NUMBER	A	B	C	D	E	F	UNIT COST
38-MCP	.38	.75	.63	2.31	.88	.77	
50-MCP	.50	.75	.65	2.63	1.13	1.00	

Dimensions in inches.

OHFC COPPER TUBE, 6" LONG

PART NUMBER	DESCRIPTION	UNIT PRICE
38-CT	3/8 OD x .032 Wall, 10 pcs./box	
50-CT	1/2 OD x .032 Wall, 10 pcs./box	

Dimensions in inches.

■ Bakeable to 500° C

A&N compression ports allow the user to easily make vacuum tight, all metal bakeable connections between copper tubing and stainless steel vacuum chambers and systems. A knife-edge, which is compressed into the ID of the copper tubing by tightening the hex nut, functions identically to the sealing method utilized by Conflat® type flanges and is capable of achieving the same performance levels as knife-edge flanges. These fittings are available mounted to various diameter CF flanges or unmounted.



MISCELLANEOUS QUICK COUPLING ADAPTERS

VACUUM COUPLINGS ARE ALSO AVAILABLE IN THE FOLLOWING CONFIGURATIONS:

VACUUM COUPLINGS TO:

- ISO-Quick Flange
- ISO-Large Flange
- CF Flange
- ASA FLANGE

REFER TO:

- ISO - QF CATALOG
- ISO - LF CATALOG
- CF FLANGE COMPONENTS CATALOG
- ASA FLANGE COMPONENTS CATALOG

Vacuum Technology Distribution
 1003 Alvin Weinberg Drive
 Oak Ridge, Tennessee 37830
 TEL (865) 481 3342
 FAX (865) 481-3788
 www.vacuumtechnology.com

Sales Department 1-800-704-4774

Most Major Cards Accepted





MISCELLANEOUS ADAPTIVE FITTINGS

A&N Corporation maintains an extensive inventory of VCR, VCO and Swagelock® fittings which can be mated to any size and type of flange.

We offer some combinations as standard product in our various catalogs (**QF, LF, CF, ASA**).

If you require a configuration which is not listed, our sales staff will be happy to quote your requirements.



Sales Department 1-800-704-4774

Vacuum Technology Distribution
1003 Alvin Weinberg Drive
Oak Ridge, Tennessee 37830
TEL (865) 481 3342
FAX (865) 481-3788
www.vacuumtechnology.com



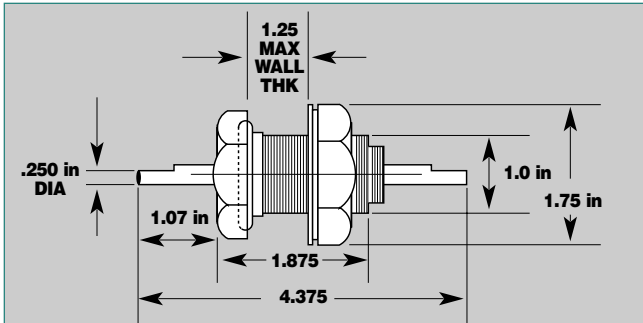
VACUUM FEEDTHROUGHS

DIRECT DRIVE ROTARY MOTION FEEDTHROUGH

This feedthrough has several revolutionary features which have received tremendous response from the vacuum industry. The 1/4" shaft is supported by two ball bearings for smooth, friction-free operation usually found only in feedthroughs costing hundreds of dollars more. The 3/8" and 1/2" feedthroughs utilize bronze bearings to support the shaft. The shaft is sealed by a preloaded viton "O" ring - virtually fool proof! Over or under torquing is impossible. No spring to wear out or worry about. The most amazing feature, however, is that the "O" ring may be regreased or serviced by

removing and replacing all components from the atmosphere side of the feedthrough in about 10 seconds without the use of any tools!

This feedthrough is designed for manual or mechanical operation of intermittent speeds up to 500 RPM. This feedthrough is available in aluminum or stainless steel. The unit is designed to fit standard 1" diameter through-hole mounting for wall thickness up to 1".



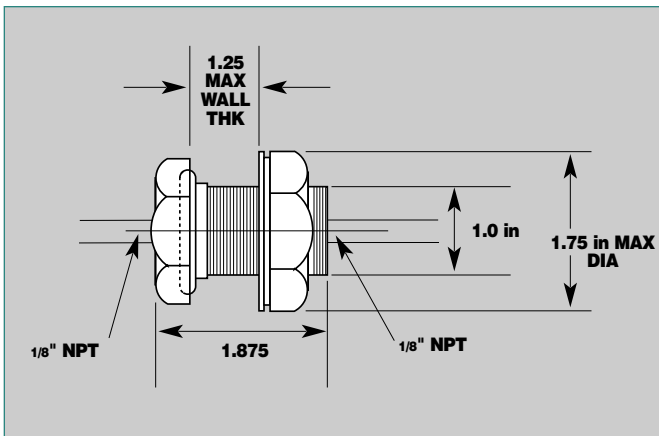
PART NUMBER	DESCRIPTION	UNIT PRICE
125-FTR	1/4 Shaft (aluminum)	
125-FTR-S	1/4 Shaft (304 Stainless steel)	
138-FTR	3/8 Shaft (aluminum)	
138-FTR-S	3/8 Shaft (304 Stainless steel)	
150-FTR	1/2 Shaft (aluminum)	
150-FTR-S	1/2 Shaft (304 Stainless steel)	

Dimensions in inches.



125-FTR SPARE PARTS		
PART NUMBER	DESCRIPTION	UNIT PRICE
125-BK	Replacement Bearings & O-Rings	
FTAN	Aluminum Nut	
FTAW	Aluminum Washer	
FTSN	Stainless Steel Nut	
FTSW	Stainless Steel Washer	
125-KC	Knurled Cap	

FEEDTHROUGH FOR GAS BACKFILL OR THERMOCOUPLE GAUGE



This unit is constructed of aluminum or stainless steel and is designed for applications requiring the use of a thermocouple gauge or for gas backfilling into the systems. This unit is designed with 1/8" NPT on each end to accept gauges or tubing and will fit into a standard 1" diameter mounting hole.

PART NUMBER	DESCRIPTION	UNIT PRICE
1125-FTG	Aluminum	
1125-FTG-S	Stainless Steel	

Vacuum Technology Distribution
 1003 Alvin Weinberg Drive
 Oak Ridge, Tennessee 37830
 TEL (865) 481 3342
 FAX (865) 481-3788
 www.vacuumtechnology.com

Sales Department 1-800-704-4774

Most Major Cards Accepted

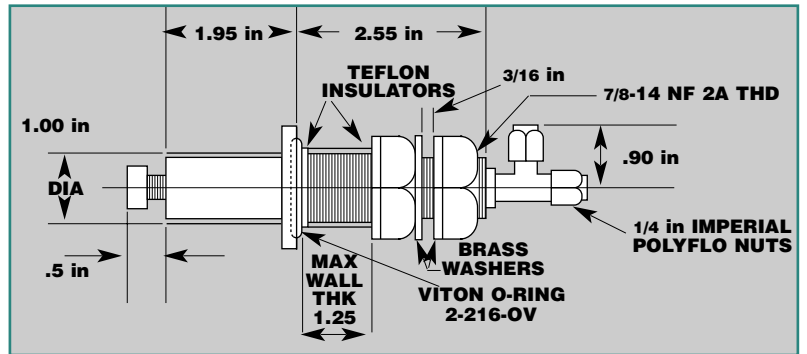




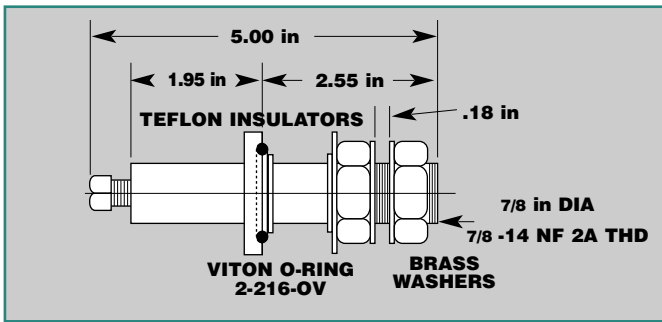
VACUUM FEEDTHROUGHS

1000 AMP. HI-CURRENT WATERCOOLED FEEDTHROUGH

This feedthrough is used to transfer low voltage(50 volts, max.), high current electrical power into a vacuum atmosphere. Our feedthrough features one-piece construction eliminating any possible leakage through welded joints. This unit is constructed of oxygen-free copper and brass. Insulators are teflon for strength and durability. Waterline connectors are designed to accept 1/4" I.D. poly flow tubing. This unit will mount into standard 1" diameter hole.



PART NUMBER	UNIT PRICE	
1000-FTV		
SPARE PARTS LIST		
PART NUMBER	DESCRIPTION	PRICE
FTV-RK	Repair Kit, contains large & small teflon insulator, O-ring	
FTV-T	Replacement Imperial Tee	



400 AMP. HI-CURRENT FEEDTHROUGH

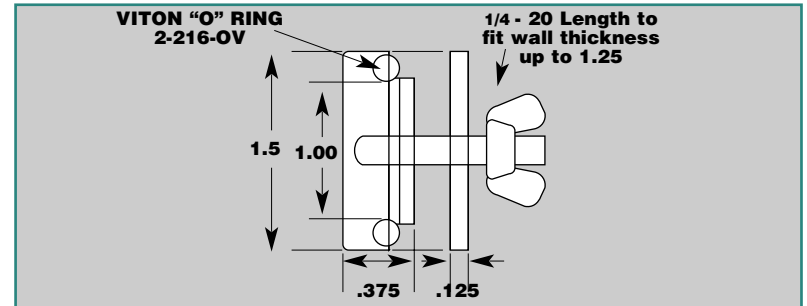
PART NUMBER	UNIT PRICE
400-FTV	

Same features as above but non-water cooled. Refer to spare parts list above (FTV-RK).

BLANK PLUG FEEDTHROUGH



Effectively seals mounting holes in vacuum chambers when not in use. Blank-offs can be ordered to fit into any size diameter hole, any wall thickness and in various material.



PART NUMBER	UNIT PRICE
100-FTB-A	Aluminum 1" Hole

BRASS			STAINLESS STEEL		
MODEL	DESCRIPTION	PRICE	MODEL	DESCRIPTION	PRICE
075-FTB-B	3/4 HOLE		075-FTB-S	3/4 HOLE	
100-FTB-B	1 HOLE		100-FTB-S	1 HOLE	
125-FTB-B	1 1/4 HOLE		125-FTB-S	1 1/4 HOLE	
150-FTB-B	1 1/2 HOLE		150-FTB-S	1 1/2 HOLE	
175-FTB-B	1 3/4 HOLE		175-FTB-S	1 3/4 HOLE	

LARGER SIZES AVAILABLE

Dimensions in inches.

Sales Department 1-800-704-4774

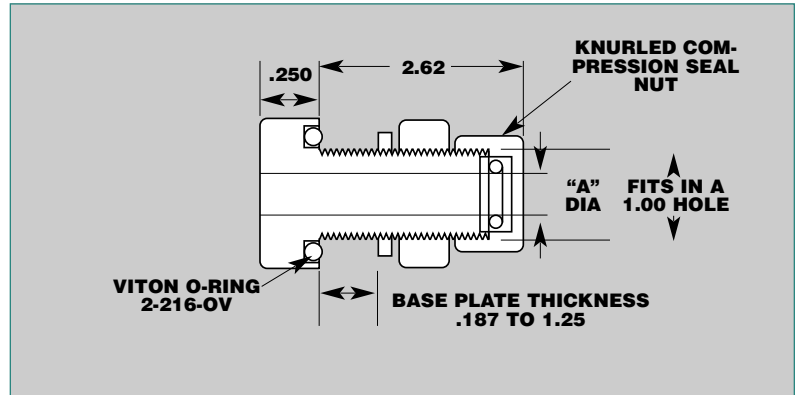
Vacuum Technology Distribution
 1003 Alvin Weinberg Drive
 Oak Ridge, Tennessee 37830
 TEL (865) 481 3342
 FAX (865) 481-3788
 www.vacuumtechnology.com



VACUUM FEEDTHROUGHS

QUICK CONNECT FEEDTHROUGH

These feedthrough are designed to accept tubulations having outside diameters of 1/8", 1/4", 3/8", 1/2", 5/8" and 3/4". They are especially useful for gauge-tube applications or whenever any quick connection is needed leading into a vacuum system. The "O"ring provides a positive seal against tubulation yet is quickly released. All units are designed to mount into 1" base-plates or feedthrough rings with a maximum wall thickness of 1".

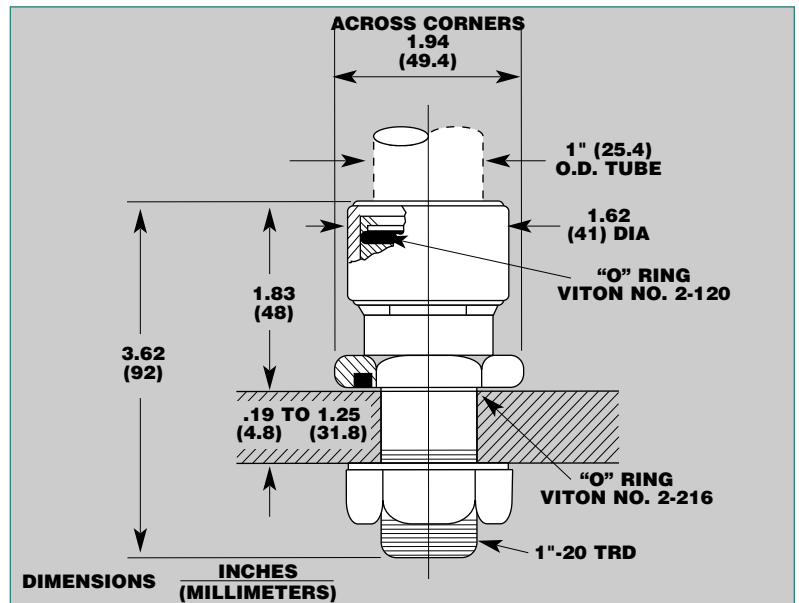


PART NUMBER	"A" DIAMETER	ALUMINUM PRICE	MODEL NUMBER	"A" DIAMETER	STAINLESS STEEL PRICE
12-FTQC	1/8		12-FTQC-S	1/8	
25-FTQC	1/4		25-FTQC-S	1/4	
38-FTQC	3/8		38-FTQC-S	3/8	
50-FTQC	1/2		50-FTQC-S	1/2	
62-FTQC	5/8		62-FTQC-S	5/8	
75-FTQC	3/4		75-FTQC-S	3/4	

Dimensions in inches.

100# QUICK CONNECT FEEDTHROUGH

The #100 FTQC enables mounting of ionization gauges or other tubulations with 1" diameters into baseplates or feedthrough rings with 1" holes.



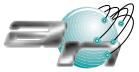
PART NUMBER	ALUMINUM PRICE	PART NUMBER	STAINLESS STEEL PRICE
100-FTQC		100-FTQC-S	

Vacuum Technology Distribution
 1003 Alvin Weinberg Drive
 Oak Ridge, Tennessee 37830
 TEL (865) 481 3342
 FAX (865) 481-3788
 www.vacuumtechnology.com

Sales Department 1-800-704-4774

Most Major Cards Accepted





VACUUM FEEDTHROUGHS

- 304 Stainless steel
- Fits std. 1" dia. hole
- Suitable for plates up to 1" thickness
- Feedthrough complete with stainless washer, nut and viton O-ring (2-216)

QF TO 1" BASEPLATE FEEDTHROUGH

PART NUMBER	A	B	C	UNIT PRICE
QF25-100-FT	.75	1.620	2.880	
QF40-100-FT	.75	1.620	3.120	

Dimensions in inches.

- 304 Stainless steel
- Fits std. 1" dia. hole
- Suitable for plates up to 1" thickness
- Feedthrough complete with stainless washer, nut and viton O-ring (2-216)
- Available with other CF configurations

CF TO 1" BASEPLATE FEEDTHROUGH

PART NUMBER	A	B	C	UNIT PRICE
212-100-FT	.75	1.620	2.880	
275-100-FT	.75	1.620	2.880	

Dimensions in inches.

- Liquid or gas applications
- 1/4" O.D. x .035 wall tubing
- 304 Stainless steel

QF TO SINGLE TUBE FEEDTHROUGH

PART NUMBER	A	B	UNIT PRICE
QF25-025-FT	9.10	15.70	
QF40-025-FT	9.10	15.70	

Dimensions in inches.

- Liquid or gas applications
- 1/4" O.D. x .035 wall tubing
- 304 Stainless steel

QF TO DOUBLE TUBE FEEDTHROUGH

PART NUMBER	A	B	UNIT PRICE
QF25-025-FT2	9.10	15.70	
QF40-025-FT2	9.10	15.70	

Dimensions in inches.

Vacuum Technology Distribution
 1003 Alvin Weinberg Drive
 Oak Ridge, Tennessee 37830
 TEL (865) 481 3342
 FAX (865) 481-3788
www.vacuumtechnology.com

Sales Department 1-800-704-4774



LEAK DETECTOR ACCESSORIES

TEST PORT REDUCER KITS



CASE AND 10 ALUMINUM REDUCERS

Quickly and simply converts standard test port inlet to any one of 10 tube O.D. sizes.

Eliminates costly labor and down time due to fabricating flanges and reducing fixtures.

Permanent case for storage of Test Port Reducer Kit.

1", 7/8", 3/4", 5/8", 1/2", 3/8", 5/16", 1/4", 3/16", 1/8", Tube O.D. Sizes.

LD-112 1 1/8" Test Port Kit
(Adapts to Veeco, Varian, VIC)

LD-40 KF40 Test Port Kit
(Adapts to Alcatel, Leybold-Heraeus)

LD-200 2" Test Port Kit
(Adapts to DuPont)
Other Sizes Available On Request

LD-112-"O" Replacement "O" Ring Kit
Inserts sold separately

ADAPTER LEAK DETECTOR TEST PORTS 304 STAINLESS STEEL



QF40 TO 1 1/8" PORT

Used to convert your leak detector from a QF40 port to a 1 1/8" port for use with LD-112. See our ISO-QF CATALOG for dimensions and other combinations.

PART NUMBER	UNIT PRICE
QF25-Q112-LD	
QF40-Q112-LD	

1 1/8" OR 2" PORT TO QF

PART NUMBER	UNIT PRICE	PART NUMBER	UNIT PRICE
QF16-112-LD		QF16-200-LD	
QF25-112-LD		QF25-200-LD	
QF40-112-LD		QF40-200-LD	
QF50-112-LD		QF50-200-LD	

See our ISO-QF CATALOG for dimensions.



SCREEN MESH CENTERING RINGS

To prevent particles from entering your leak detector. See our ISO-QF CATALOG for dimensional information.

PART NUMBER	UNIT PRICE	PART NUMBER	UNIT PRICE
QF16-075-SRV-SM		QF40-150-SRV-SM	
QF25-100-SRV-SM		QF50-200-SRV-SM	



Vacuum Technology Distribution
1003 Alvin Weinberg Drive
Oak Ridge, Tennessee 37830
TEL (865) 481 3342
FAX (865) 481-3788
www.vacuumtechnology.com

Sales Department 1-800-704-4774

Most Major Cards Accepted





LEAK DETECTOR ACCESSORIES

HELIUM CALIBRATED LEAKS

- NIST Certified Standards - MIL Spec 45662A
- All 304 stainless steel construction
- Certified calibration report
- Stainless steel shut-off valve
- Recalibration services available
- Custom styles available



PART NUMBER	PORT SIZE (SEE NOTE BELOW)	LEAK RANGE	VEECO EQUIV.	VARIAN EQUIV.	UNIT PRICE
CL-8	1/8	10-8	SC-4	0981-F84 73-302	
CL-9	1/8	10-9	NONE	0981-F84 73-303	
CL-10	1/8	10-10	SC-5	NONE	

NOTE: KF40 PORTED LEAK DETECTORS
Alcatel, Leybold Heraeus - Use A&N adapter QF40-150-Q112-LD (see page 12)

Dimensions in inches.
Manufactured to order: allow 2-4 weeks for delivery.

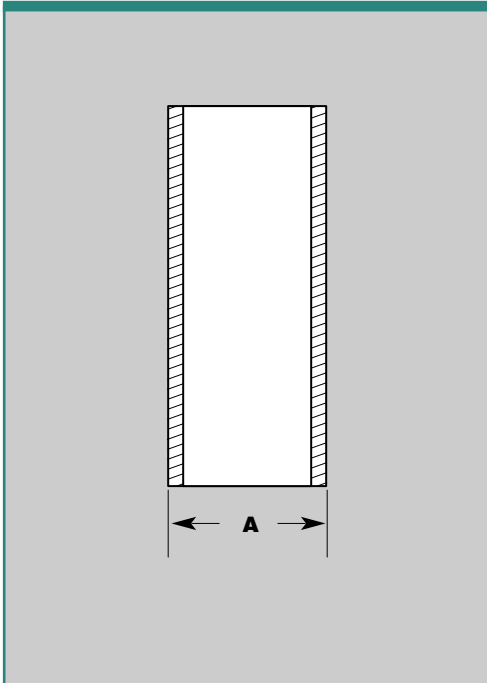


Sales Department 1-800-704-4774

Vacuum Technology Distribution
1003 Alvin Weinberg Drive
Oak Ridge, Tennessee 37830
TEL (865) 481 3342
FAX (865) 481-3788
www.vacuumtechnology.com



TUBING

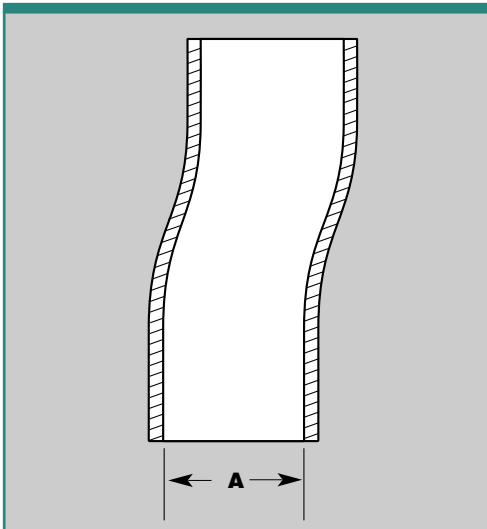


304 STAINLESS STEEL TUBING

PART NUMBER	WALL THICKNESS	TUBE O.D. A	PRICE PER FOOT
050-ST	.062	.50	
075-ST	.062	.75	
100-ST	.065	1.00	
125-ST	.065	1.25	
150-ST	.065	1.50	
162-ST	.065	1.63	
175-ST	.065	1.75	
200-ST	.065	2.00	
250-ST	.065	2.50	
300-ST	.065	.300	
400-ST	.065	4.00	
500-ST	.083	5.00	
600-ST	.083	6.00	
800-ST	.120	8.00	
1000-ST	.125	10.00	
1200-ST	.120	12.00	

Add \$15.00 per cut to price

Dimensions in inches.



WIRE REINFORCED PVC TUBING

PART NUMBER	MAX TEMP	MAX PSI	TUBING I.D. A	PRICE PER FOOT
050-PVC	170°F	130	.50	
075-PVC	170°F	100	.75	
100-PVC	170°F	70	1.00	
150-PVC	170°F	50	1.50	
200-PVC	170°F	50	2.00	

Dimensions in inches.

ACCESSORIES - STAINLESS STEEL HOSE CLAMPS

PART NUMBER	UNIT PRICE
QF16-075-HC	
QF25-100-HC	
QF40-150-HC	
QF50-200-HC	



Vacuum Technology Distribution
 1003 Alvin Weinberg Drive
 Oak Ridge, Tennessee 37830
 TEL (865) 481 3342
 FAX (865) 481-3788
 www.vacuumtechnology.com

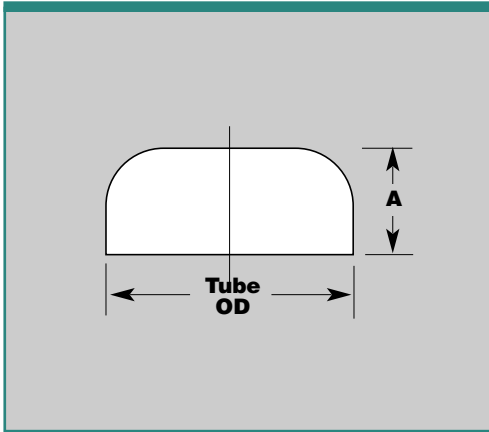
Sales Department 1-800-704-4774

Most Major Cards Accepted





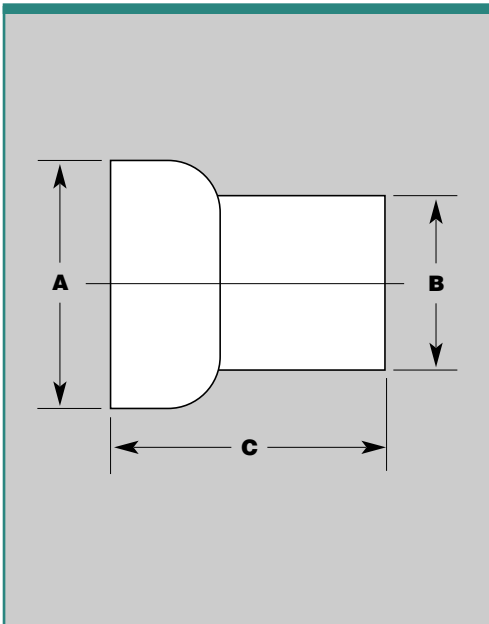
STAINLESS STEEL WELD FITTINGS



END CAP 304 STAINLESS STEEL

PART NUMBER	TUBE O.D.	LENGTH A	UNIT PRICE
075-EC	0.75	.313	
100-EC	1.00	.375	
150-EC	1.50	.563	
200-EC	2.00	.750	
250-EC	2.50	1.000	
300-EC	3.00	1.250	
400-EC	4.00	1.500	
600-EC	6.00	2.00	

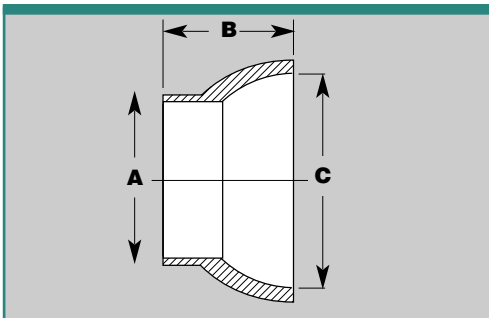
Dimensions in inches.



END CAP REDUCER

PART NUMBER	TUBE O.D.			UNIT PRICE
	A	B	C	
075-050-ECR	0.75	0.50	2.38	
100-050-ECR	1.00	0.50	2.38	
100-075-ECR	1.00	0.75	2.38	
150-050-ECR	1.50	0.50	2.38	
150-075-ECR	1.50	0.75	2.38	
150-100-ECR	1.50	1.00	2.38	
200-150-ECR	2.00	1.50	2.38	
250-200-ECR	2.50	2.00	2.38	
300-150-ECR	3.00	1.50	3.62	
300-200-ECR	3.00	2.00	3.62	
300-250-ECR	3.00	2.50	3.62	
400-200-ECR	4.00	2.00	3.62	
400-300-ECR	4.00	3.00	3.62	
600-400-ECR	6.00	4.00	3.62	
800-600-ECR	8.00	6.00	3.62	

Dimensions in inches.



BALL SOCKET

PART NUMBER	TUBE O.D. A	LENGTH B	SOCKET I.D. C	UNIT PRICE
50/30-BS	1.75	2.01	2.00	
75/50-BS	2.00	2.51	3.00	
102/75-BS	3.00	2.00	4.00	

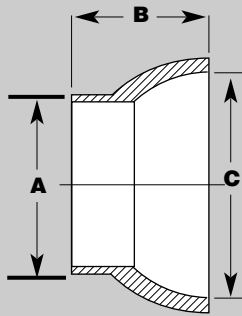
Dimensions in inches.

Sales Department 1-800-704-4774

Vacuum Technology Distribution
 1003 Alvin Weinberg Drive
 Oak Ridge, Tennessee 37830
 TEL (865) 481 3342
 FAX (865) 481-3788
www.vacuumtechnology.com



STAINLESS STEEL WELD FITTINGS

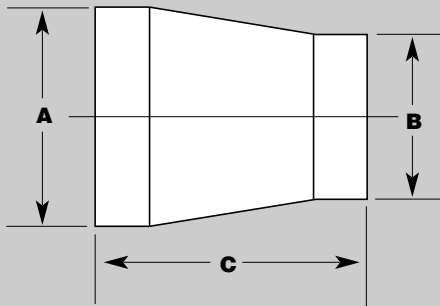


BALL SOCKET - GROOVED

PART NUMBER	TUBE O.D. A	LENGTH B	SOCKET I.D. C	O-RING SIZE	UNIT PRICE
50/30BS-G	1.75	2.01	2.00	2.224	
75/50BS-G	2.00	2.51	3.00	2.232	
102/75BS-G	3.00	2.00	4.00	2.240	

Dimensions in inches.

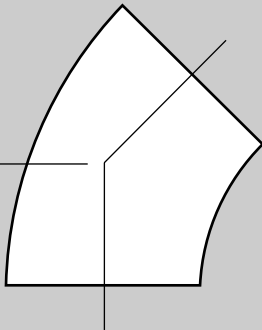
■ O-Ring Included



CONICAL REDUCERS

PART NUMBER	WALL THICKNESS	TUBE O.D. A	O.D. B	C LENGTH	UNIT PRICE
100x075-WCR	.065	1.00	.75	1.375	
150x075-WCR	.065	1.50	.75	2.375	
150x100-WCR	.065	1.50	1.00	2.375	
200x100-WCR	.065	2.00	1.00	2.375	
200x150-WCR	.065	2.00	1.50	2.375	
250x150-WCR	.065	2.50	1.50	2.375	
250x200-WCR	.065	2.50	2.00	2.375	
300x150-WCR	.065	3.00	1.50	3.625	
300x200-WCR	.065	3.00	2.00	3.625	
300x250-WCR	.065	3.00	2.50	3.625	
400x200-WCR	.065	4.00	2.00	3.625	
400x250-WCR	.083	4.00	2.50	3.625	
400x300-WCR	.083	4.00	3.00	3.625	

Dimensions in inches.



45° ELBOW

PART NUMBER	WALL THICKNESS	TUBE O.D.	CENTERLINE A	UNIT PRICE
075-E45	.065	0.75	.46	
100-E45	.065	1.00	.63	
150-E45	.065	1.50	.94	
200-E45	.065	2.00	1.25	
250-E45	.065	2.50	1.56	
300-E45	.065	3.00	1.88	
400-E45	.083	4.00	2.50	
600-E45	.125	6.00	3.75	

Dimensions in inches.

Vacuum Technology Distribution
 1003 Alvin Weinberg Drive
 Oak Ridge, Tennessee 37830
 TEL (865) 481 3342
 FAX (865) 481-3788
 www.vacuumtechnology.com

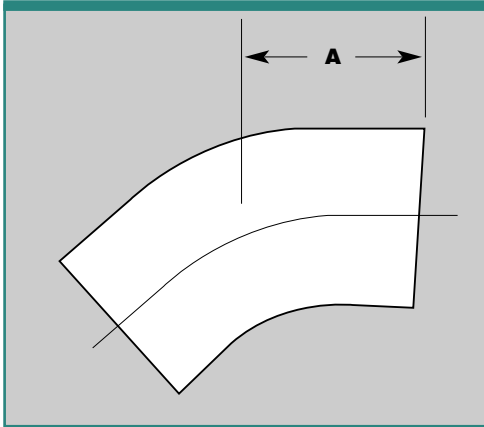
Sales Department 1-800-704-4774

Most Major Cards Accepted





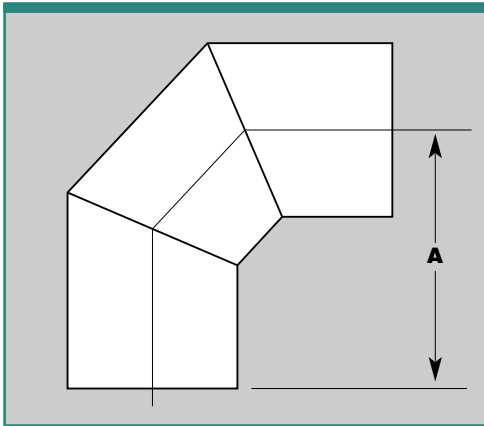
STAINLESS STEEL WELD FITTINGS



45° ELBOW - WITH TANGENTS

PART NUMBER	WALL THICKNESS	TUBE O.D.	CENTERLINE A	UNIT PRICE
075-E45-T	.035	.75	.76	
100-E45-T	.065	1.00	.97	
150-E45-T	.065	1.50	1.53	
200-E45-T	.065	2.00	1.84	
250-E45-T	.065	2.50	3.00	
300-E45-T	.065	3.00	3.68	
400-E45-T	.083	4.00	4.78	

Dimensions in inches.

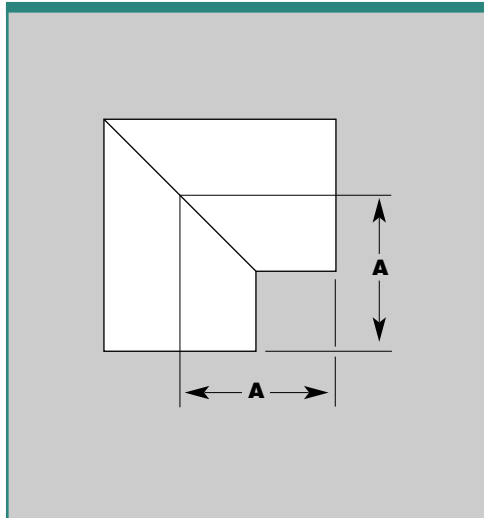


90° MITERED HI-CONDUCTIVE ELBOW

PART NUMBER	WALL THICKNESS	TUBE O.D.	CENTERLINE A	UNIT PRICE
600-E90-MHC	.083	6.00	9.00	
800-E90-MHC	.120	8.00	12.00	
1000-E90-MHC	.125	10.00	15.00	

Dimensions in inches.

■ Other centerlines available.



90° MITERED ELBOW

PART NUMBER	WALL THICKNESS	TUBE O.D.	CENTERLINE A	UNIT PRICE
075-E90-M	.065	0.75	1.00	
075-E90-ML	.065	0.75	1.40	
100-E90-M	.065	1.00	1.80	
100-E90-ML	.065	1.00	1.88	
150-E90-M	.065	1.50	2.25	
150-E90-ML	.065	1.50	2.39	
200-E90-M	.065	2.00	2.59	
200-E90-ML	.065	2.00	2.98	
250-E90-M	.065	2.50	3.00	
250-E90-ML	.065	2.50	3.21	
250-E90-XL	.065	2.50	3.75	
300-E90-M	.065	3.00	2.97	
400-E90-M	.083	4.00	3.88	
400-E90-ML	.083	4.00	4.87	
500-E90-M	.083	5.00	4.25	
600-E90-M	.120	6.00	5.00	
600-E90-ML	.120	6.00	6.06	
800-E90-M	.120	8.00	7.00	
1000-E90-M	.120	10.00	9.50	

Dimensions in inches.

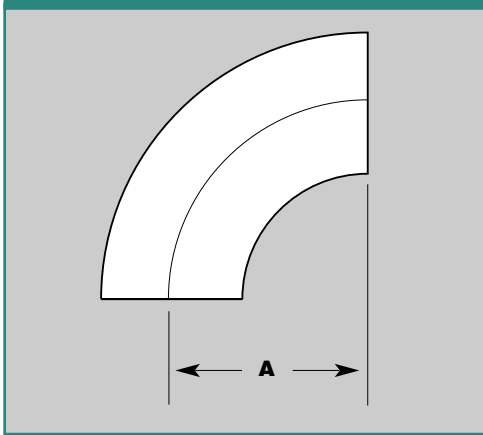
■ Other centerlines available.

Vacuum Technology Distribution
 1003 Alvin Weinberg Drive
 Oak Ridge, Tennessee 37830
 TEL (865) 481 3342
 FAX (865) 481-3788
www.vacuumtechnology.com

Sales Department 1-800-704-4774

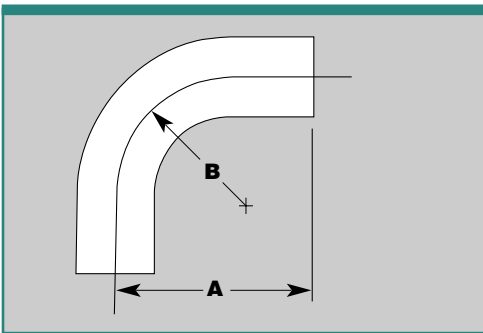


STAINLESS STEEL WELD FITTINGS



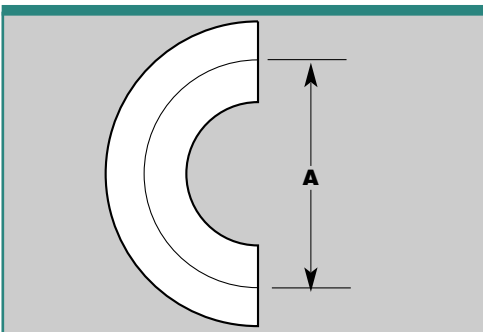
90° RADIUS ELBOW				
PART NUMBER	WALL THICKNESS	TUBE O.D.	CENTERLINE A	UNIT PRICE
050-E90	.035	0.50	1.25	
075-E90	.035	0.75	1.00	
075-E90-L	.065	0.75	1.12	
100-E90	.065	1.00	1.50	
100-E90-L	.065	1.00	1.82	
150-E90	.065	1.50	2.25	
200-E90	.065	2.00	3.00	
250-E90	.065	2.50	3.75	
300-E90	.065	3.00	4.50	
400-E90	.083	4.00	6.00	
600-E90	.109	6.00	9.00	
800-E90	.109	8.00	12.00	
1000-E90	.109	10.00	15.00	

Dimensions in inches.



90° RADIUS ELBOW WITH TANGENTS					
PART NUMBER	WALL THICKNESS	TUBE O.D.	A	B	UNIT PRICE
075-E90-T	.035	.75	1.42	1.00	
100-E90-T	.065	1.00	1.82	1.50	
150-E90-T	.065	1.50	2.41	2.25	
150-E90-TL	.065	1.50	4.97	2.25	
200-E90-T	.065	2.00	4.06	3.00	
200-E90-TL	.065	2.00	5.36	3.00	
250-E90-T	.065	2.50	5.19	3.75	
300-E90-T	.065	3.00	6.31	4.50	
400-E90-T	.083	4.00	8.31	6.00	

Dimensions in inches.



180° RETURNS				
PART NUMBER	WALL THICKNESS	TUBE O.D.	CENTERLINE A	UNIT PRICE
075-E180	.065	0.75	2.25	
100-E180	.065	1.00	3.00	
150-E180	.065	1.50	4.50	
200-E180	.065	2.00	6.00	
250-E180	.065	2.50	7.50	
300-E180	.065	3.00	9.00	
400-E180	.083	4.00	12.00	
600-E180	.109	6.00	18.00	

Dimensions in inches.

Vacuum Technology Distribution
 1003 Alvin Weinberg Drive
 Oak Ridge, Tennessee 37830
 TEL (865) 481 3342
 FAX (865) 481-3788
 www.vacuumtechnology.com

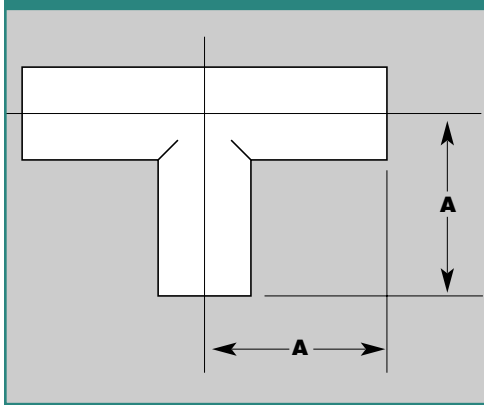
Sales Department 1-800-704-4774

Most Major Cards Accepted





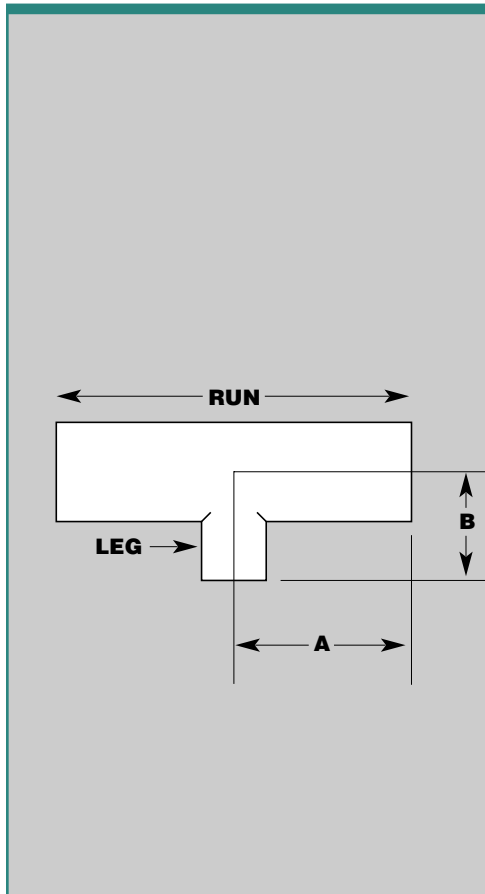
STAINLESS STEEL WELD FITTINGS



Dimensions in inches.

- Ball pulled parts unless otherwise noted.
- * Denotes "saddle weld" type fitting.
- Other centerlines available in saddle weld fittings.

TEES				
PART NUMBER	WALL THICKNESS	TUBE O.D.	CENTERLINE A	UNIT PRICE
* 050-T	.049	0.50	0.75	
075-T	.035	0.75	1.00	
* 075-T-L	.065	0.75	1.40	
* 100-T	.065	1.00	1.80	
100-T-L	.065	1.00	1.88	
150-T	.065	1.50	2.25	
* 150-T-L	.065	1.50	2.39	
150-T-XL	.065	1.50	2.41	
* 200-T	.065	2.00	2.59	
200-TL	.065	2.00	3.00	
250-T	.065	2.00	3.00	
250-T-L	.065	2.50	3.75	
300-T	.065	3.00	3.25	
400-T	.083	4.00	3.88	
400-T-L	.083	4.00	4.87	
600-T	.083	6.00	5.00	
600-T-L	.083	6.00	6.06	
800-T	.109	8.00	7.00	
1000-T	.109	10.00	9.50	



- Ball pulled ports

REDUCER TEES					
PART NUMBER	RUN O.D.	LEG O.D.	A	B	UNIT PRICE
100-050-RWT	1.00	0.50	1.88	1.00	
100-075-RWT	1.00	0.75	1.88	1.12	
150-050-RWT	1.50	0.50	2.25	1.25	
150-075-RWT	1.50	0.75	2.25	1.38	
150-100-RWT	1.50	1.00	2.25	2.13	
200-050-RWT	2.00	0.50	3.00	1.50	
200-075-RWT	2.00	0.75	3.00	1.63	
200-150-RWT	2.00	1.50	3.00	2.50	
250-150-RWT	2.50	1.50	3.00	2.75	
250-200-RWT	2.50	2.00	3.00	3.25	
300-150-RWT	3.00	1.50	3.25	3.00	
300-200-RWT	3.00	2.00	3.25	3.50	
300-250-RWT	3.00	2.50	3.25	3.25	
400-150-RWT	4.00	1.50	3.88	3.50	
400-200-RWT	4.00	2.00	3.88	4.00	
400-250-RWT	4.00	2.50	3.88	3.75	
400-300-RWT	4.00	3.00	3.88	3.75	
500-400-RWT	5.00	4.00	4.25	4.38	
600-150-RWT	6.00	1.50	5.00	4.50	
600-200-RWT	6.00	2.00	5.00	5.00	
600-250-RWT	6.00	2.50	5.00	4.75	
600-400-RWT	6.00	4.00	5.00	4.88	
600-500-RWT	6.00	5.00	5.00	4.75	
800-600-RWT	8.00	6.00	7.00	6.00	

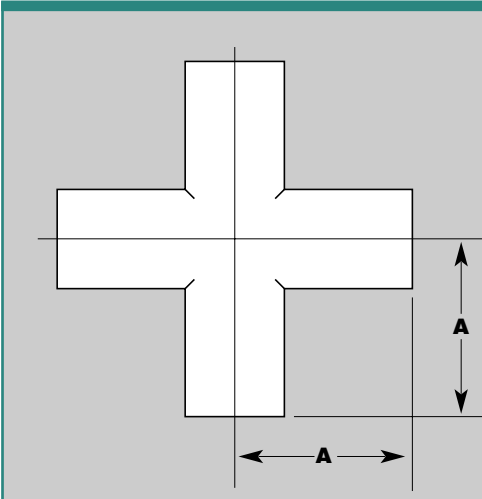
Dimensions in inches.

Vacuum Technology Distribution
 1003 Alvin Weinberg Drive
 Oak Ridge, Tennessee 37830
 TEL (865) 481 3342
 FAX (865) 481-3788
www.vacuumtechnology.com

Sales Department 1-800-704-4774



STAINLESS STEEL WELD FITTINGS

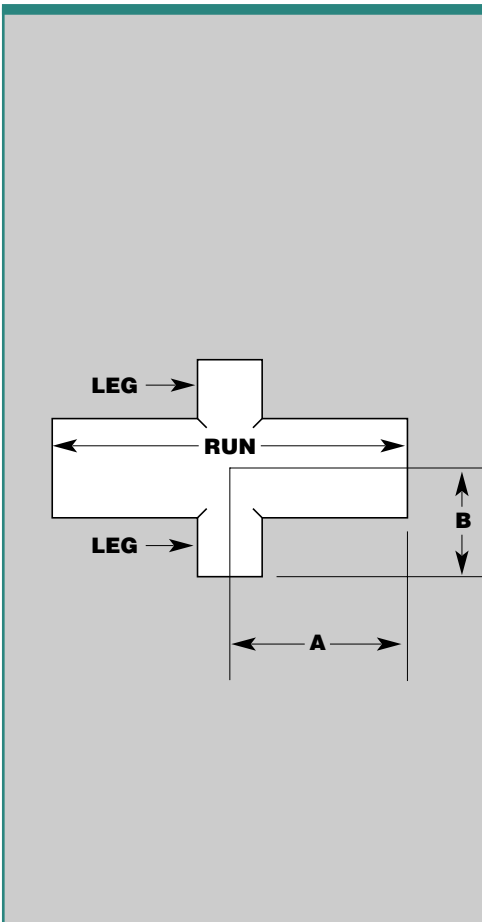


- Ball pulled ports unless otherwise noted.
- * Denotes "saddle weld" type fitting.
- Other centerlines available in saddle weld fittings.

4-WAY CROSSES

PART NUMBER	WALL THICKNESS	TUBE O.D.	CENTERLINE A	UNIT PRICE
050-X	.049	0.50	0.75	
075-X	.035	0.75	1.00	
* 075-X-L	.065	0.75	1.40	
* 100-X	.065	1.00	1.80	
100-X-L	.065	1.00	1.88	
150-X	.065	1.50	2.25	
* 150-X-L	.065	1.50	2.39	
* 200-X	.065	2.00	2.59	
200-X-L	.065	2.00	3.00	
250-X	.065	2.50	3.00	
250-X-L	.065	2.50	3.75	
300-X	.065	3.00	3.25	
400-X	.083	4.00	3.88	
400-X-L	.083	4.00	4.87	
600-X	.083	6.00	5.00	
600-X-L	.083	6.00	6.06	
800-X	.083	8.00	7.00	
1000-X	.109	10.00	9.50	

Dimensions in inches.



- Ball pulled ports

REDUCER CROSSES

PART NUMBER	RUN O.D.	LEG O.D.	A	B	UNIT PRICE
100-050-RWX	1.00	0.50	1.88	1.00	
100-075-RWX	1.00	0.75	1.88	1.12	
150-050-RWX	1.50	0.50	2.25	1.25	
150-075-RWX	1.50	0.75	2.25	1.38	
150-100-RWX	1.50	1.00	2.25	2.13	
200-050-RWX	2.00	0.50	3.00	1.50	
200-075-RWX	2.00	0.75	3.00	1.63	
200-150-RWX	2.00	1.50	3.00	2.50	
250-150-RWX	2.50	1.50	3.00	2.75	
250-200-RWX	2.50	2.00	3.00	3.25	
300-150-RWX	3.00	1.50	3.25	3.00	
300-200-RWX	3.00	2.00	3.25	3.50	
300-250-RWX	3.00	2.50	3.25	3.25	
400-150-RWX	4.00	1.50	3.88	3.50	
400-200-RWX	4.00	2.00	3.88	4.00	
400-250-RWX	4.00	2.50	3.88	3.75	
400-300-RWX	4.00	3.00	3.88	3.75	
500-400-RWX	5.00	4.00	4.25	4.38	
600-150-RWX	6.00	1.50	5.00	4.50	
600-200-RWX	6.00	2.00	5.00	5.00	
600-250-RWX	6.00	2.50	5.00	4.75	
600-300-RWX	6.00	3.00	5.00	4.75	
600-400-RWX	6.00	4.00	5.00	4.88	
600-500-RWX	6.00	5.00	5.00	4.75	
800-600-RWX	8.00	6.00	7.00	6.00	

Dimensions in inches.

Vacuum Technology Distribution
 1003 Alvin Weinberg Drive
 Oak Ridge, Tennessee 37830
 TEL (865) 481 3342
 FAX (865) 481-3788
 www.vacuumtechnology.com

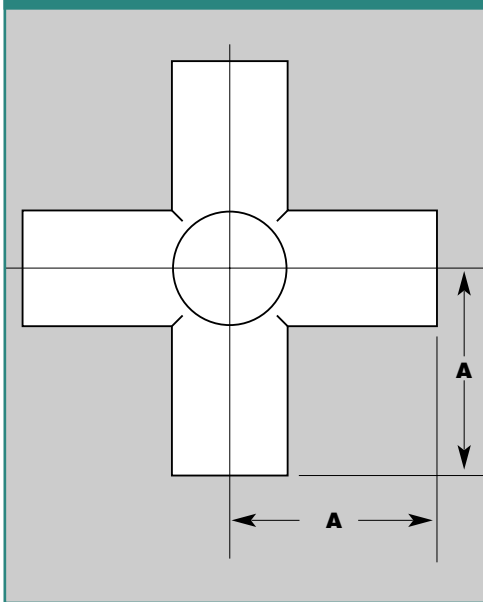
Sales Department 1-800-704-4774

Most Major Cards Accepted





STAINLESS STEEL WELD FITTINGS

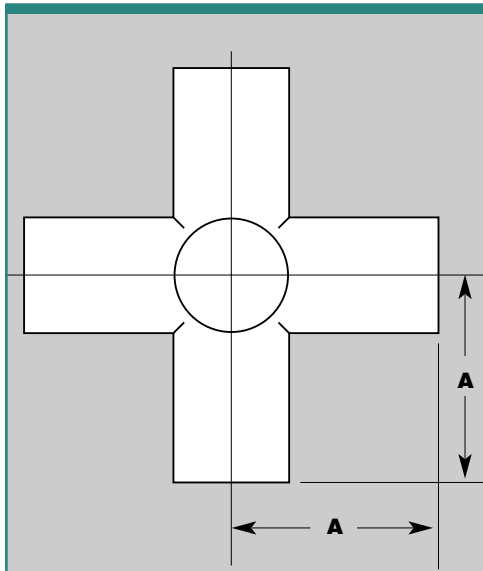


5-WAY CROSSES

PART NUMBER	WALL THICKNESS	TUBE O.D.	CENTERLINE A	UNIT PRICE
075-5X	.035	0.75	1.00	
100-5X	.065	1.00	1.88	
150-5X	.065	1.50	2.25	
200-5X	.065	2.00	3.00	
250-5X	.065	2.50	3.00	
250-5X-L	.065	2.50	3.75	
300-5X	.065	3.00	3.25	
400-5X	.083	4.00	3.88	
400-5X-L	.083	4.00	4.87	
500-5X	.083	5.00	4.25	
600-5X	.083	6.00	5.00	
600-5X-L	.083	6.00	6.06	
800-5X	.120	8.00	7.00	
1000-5X	.120	10.00	9.50	

■ Ball pulled ports

Dimensions in inches.



6-WAY CROSSES

PART NUMBER	WALL THICKNESS	TUBE O.D.	CENTERLINE A	UNIT PRICE
075-6X	.035	0.75	1.00	
100-6X	.065	1.00	1.88	
150-6X	.065	1.50	2.25	
200-6X	.065	2.00	3.00	
250-6X	.065	2.50	3.00	
250-6X-L	.065	2.50	3.75	
300-6X	.065	3.00	3.25	
400-6X	.083	4.00	3.88	
400-6X-L	.083	4.00	4.87	
500-6X	.083	5.00	4.25	
600-6X	.083	6.00	5.00	
600-6X-L	.083	6.00	6.06	
800-6X	.120	8.00	7.00	
1000-6X	.120	10.00	9.50	

■ "A" same for 5th and 6th leg

■ Ball pulled ports

Dimensions in inches.

Sales Department 1-800-704-4774

Vacuum Technology Distribution
 1003 Alvin Weinberg Drive
 Oak Ridge, Tennessee 37830
 TEL (865) 481 3342
 FAX (865) 481-3788
 www.vacuumtechnology.com